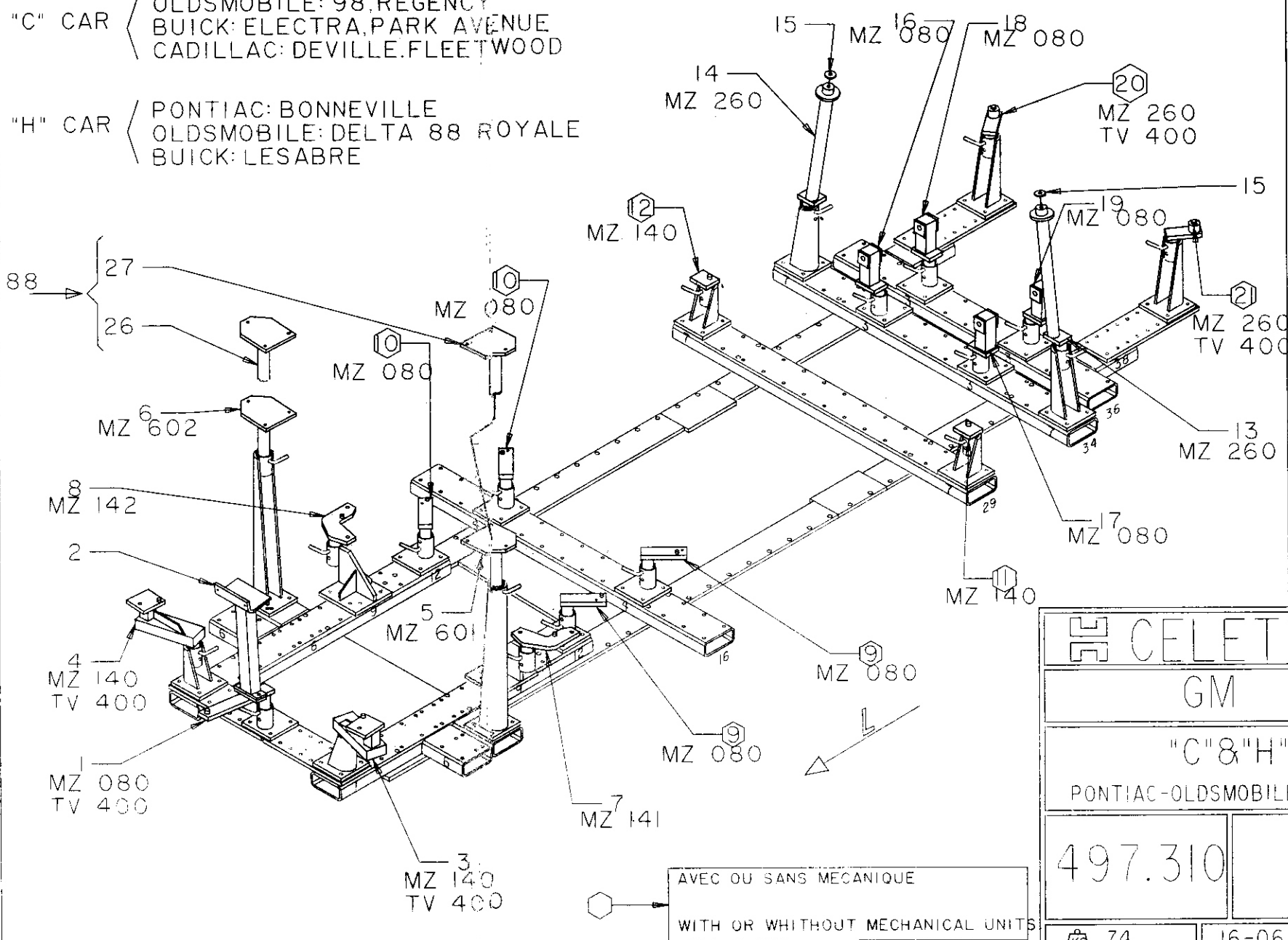


"C" CAR { OLDSMOBILE: 98, REGENCY
 BUICK: ELECTRA, PARK AVENUE
 CADILLAC: DEVILLE, FLEETWOOD

"H" CAR { PONTIAC: BONNEVILLE
 OLDSMOBILE: DELTA 88 ROYALE
 BUICK: LESABRE



REP	REFERENCE	PDS	NB	M.Z
1	497.701	4.2	1	080
2	497.702	4.2	1	140
3	497.703	4.6	1	140
4	497.704	4.6	1	601
5	497.705	5.0	1	602
6	497.706	5.0	1	141
7	497.707	3.0	1	142
8	497.708	3.0	1	080
9	497.709	2.0	1	080
10	497.710	2.0	1	080
11	497.711	1.7	1	140
12	497.712	1.7	1	40
13	497.713	3.9	1	260
14	497.714	3.9	1	260
15	497.715	0.1	2	260
16	497.716	2.9	1	080
17	497.717	2.9	1	080
18	497.718	2.5	1	080
19	497.719	2.5	1	080
20	497.720	2.0	1	260
21	497.721	2.0	1	260
26	497.726	5.1	1	602
27	497.727	5.1	1	601

BOULON HM8X25 6
 VIS HM10X20 2
 VIS HM12X40 6
 VIS HM6X25 2
 VIS HM12X25 2

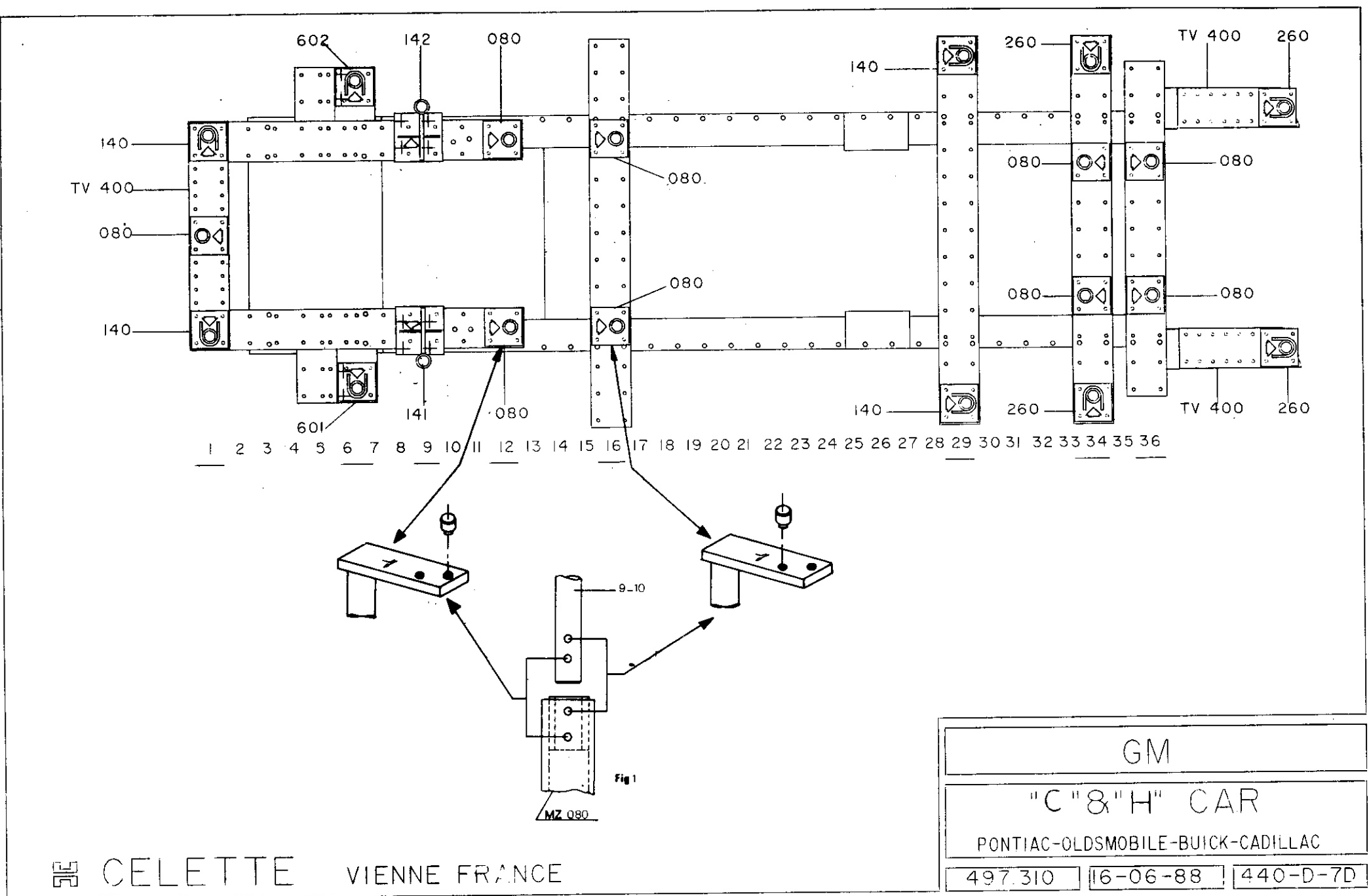
CELETTE VIENNE FRANCE

GM

"C" & "H" CAR
 PONTIAC-OLDSMOBILE-BUICK-CADILLAC

497.310

KG 74 | 16-06-88 | 440-D-7D



GM

"C" & "H" CAR
 PONTIAC-OLDSMOBILE-BUICK-CADILLAC

497.310 | 16-06-88 | 440-D-7D

CELETTE VIENNE FRANCE